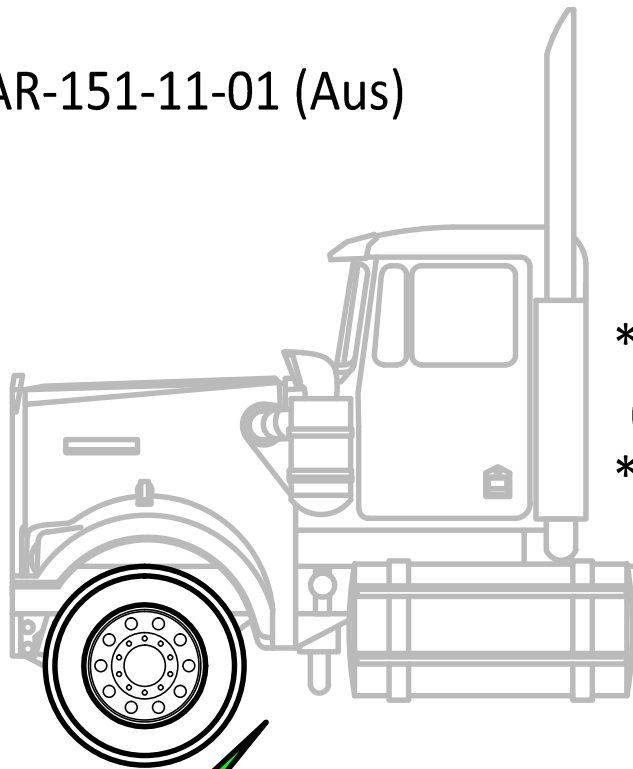


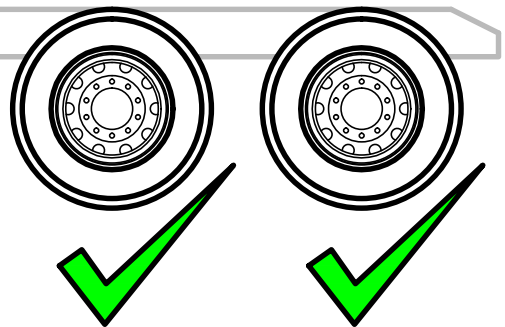
# Basic Machine Kit

AR-151-11-01 (Aus)



\*polish drive, trailer & steer wheels  
(front & rear)

\*US or Euro wheels



## Kit includes:

Aussie Rimshine machine

22.5" spring kit

Valve adjustment tool

T-pins (x100)

warranty and instruction booklet

polishing fleece (x21)

cutting fleece (x9)

Gords aluminium polish (32oz)

front wheel adapter frame

Foam heads to suit-

22.5" x 8.25" US (285pcd) rear wheels -AR-206-12-03

22.5" x 8.25" US (285pcd) steer wheels -AR-301-13-03

\*note foam heads can be swapped to suit your truck.